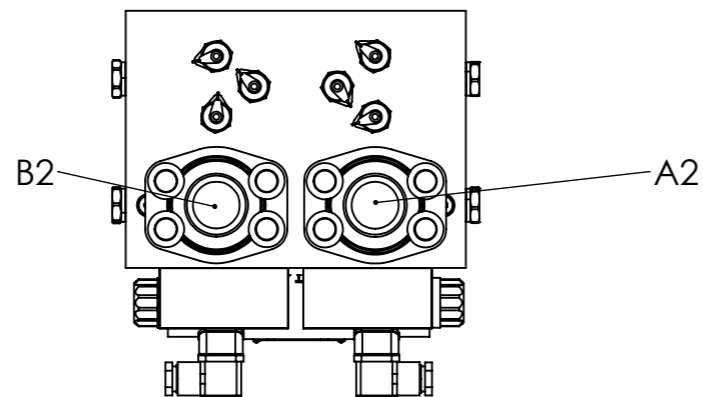
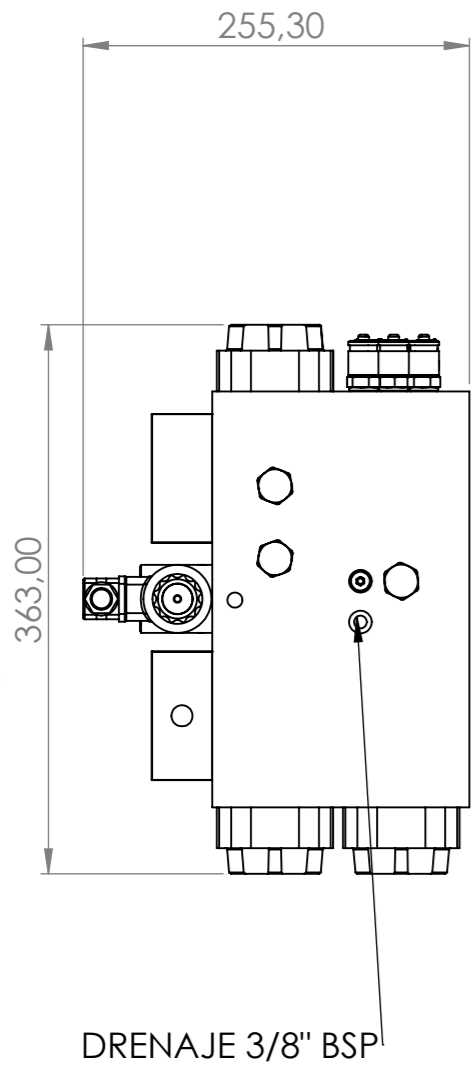
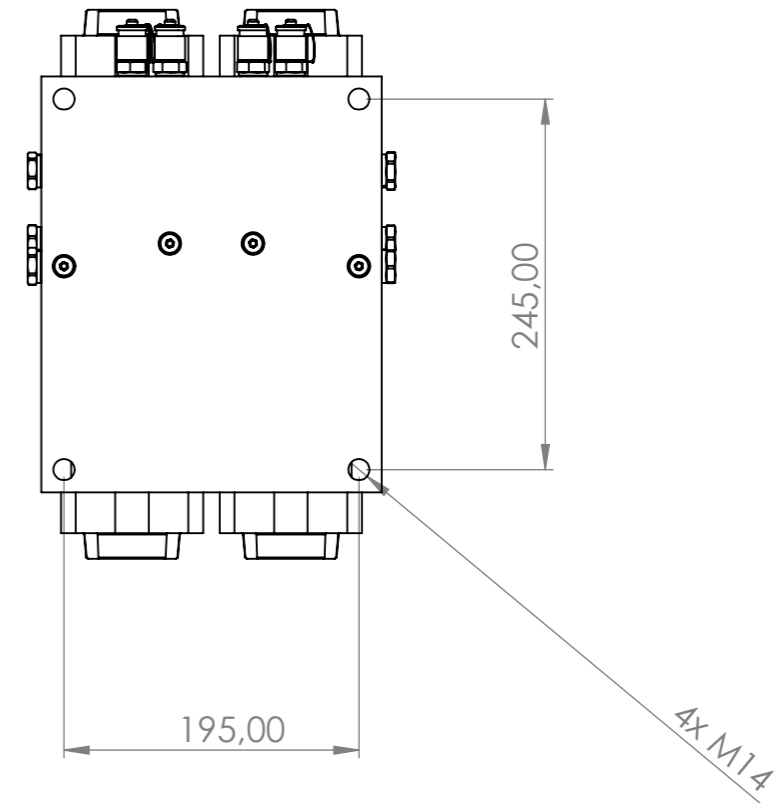
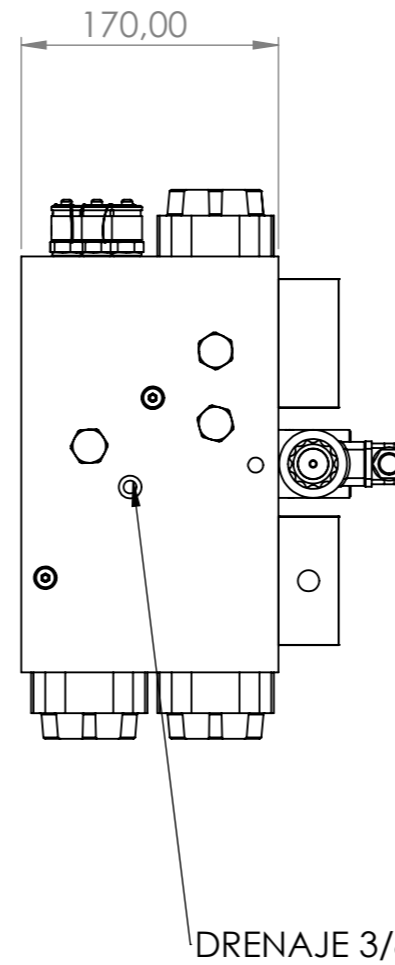
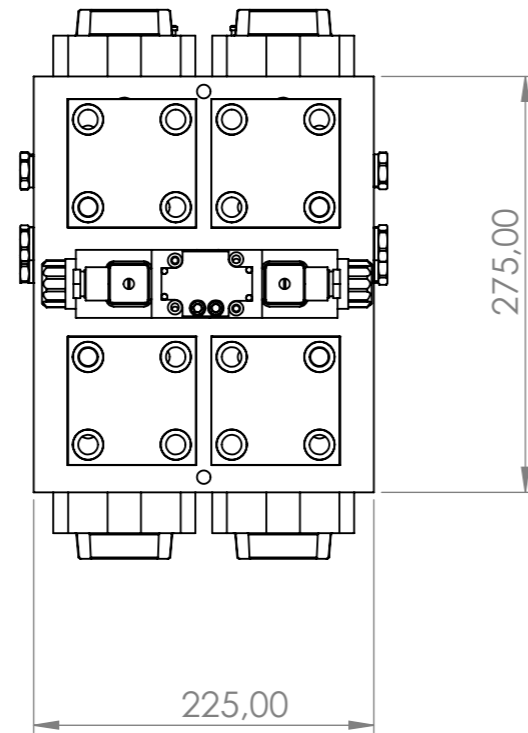
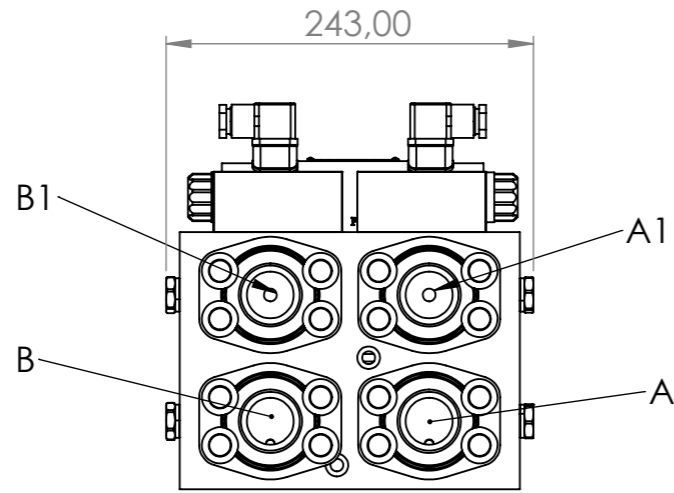
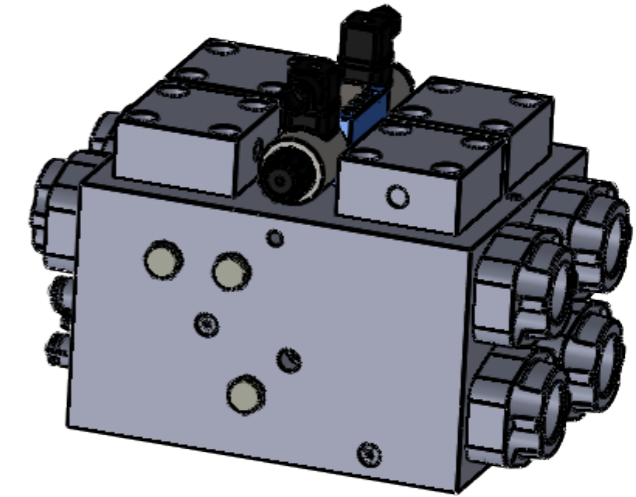




BLOQUE ACERO 6 VIAS
 1-1/4" 6000 PSI
 PRESION NOMINAL 350 BAR
 TAMANO DN25 400LTS NOMINAL



		HYDRASYSYSTEM Plus, S. L.		ISO/R 128 E 
		Nombre / Title X17002201		
MATERIAL:		N° Plano / Drawing No. X17002201		Unidades/Units mm
ROLES MAT:		Cliente / Customer: PAC	Dib / Drawn by LCH	
Hoja/Sheet 1	Format/Size A3	Comp./app'd by LCH		fecha / Date 04/01/19
REVISION NUM: REV	PROG. STATUS ST	PROPIEDAD DE / PROPERTY OF HYDRASYSYSTEM PLUS S. L. NOT TO BE USED, DISCLOSED, OR COPIED WITHOUT ITS WRITTEN CONSENT. TO BE RETURNED WITH ALL COPIES UPON COMPLETION OF AUTHORIZED USE.		